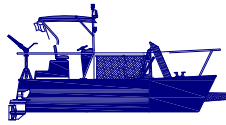


## Mandolino 6.4



### **GLOBECO S.p.A.**

Via delle Rose, 60  
80063 Piano di Sorrento (NA)  
tel. 0039 – 081 – 5336001  
fax. 0039 – 081 – 5336244  
Capital Stock € 6.000.000,00  
Naples Business Reg. No. 74596/99  
Tax Code and VAT No. 07465970635

Palazzo Taverna  
Via di Monte Giordano, 36  
00186 ROMA  
Tel. +39 06 6876155  
Fax. +39 06 687 3796  
[www.globeco.com](http://www.globeco.com)  
email: [info@globeco.com](mailto:info@globeco.com)



Dasa-Rägister

OHSAS 18001 (1999)  
IS-0504-01

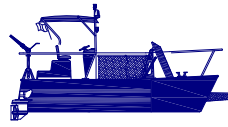


Dasa-Rägister

EN ISO 9001 (2000)  
IQ-1201-14

**SINCERT**

## Mandolino 6.4

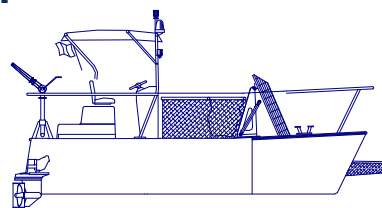


## Mandolino 6.4

The Mandolino, which is an extremely innovative vessel, works in ports, canals, bays and along the coast (it is certified to work on inland water expanses and within a 3 mile limit of the coast) carrying out the following services:

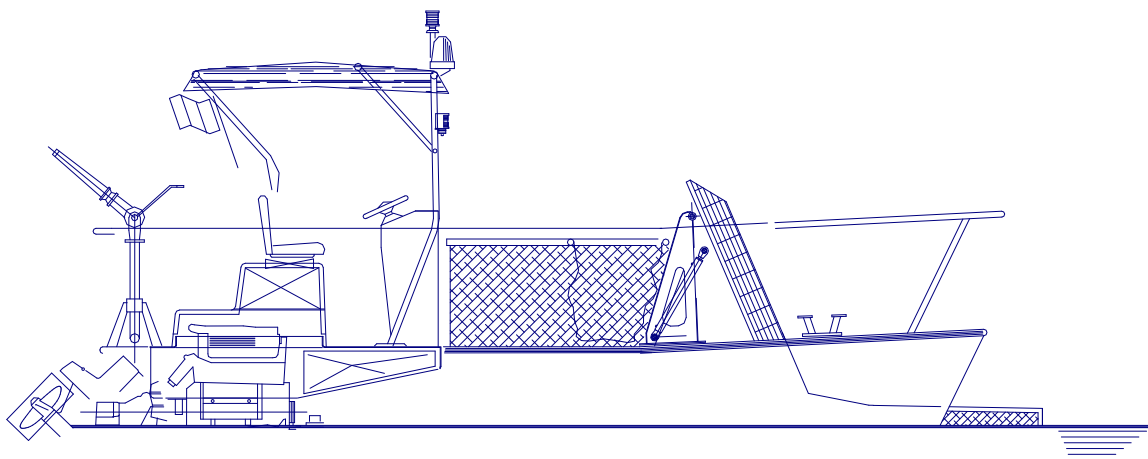
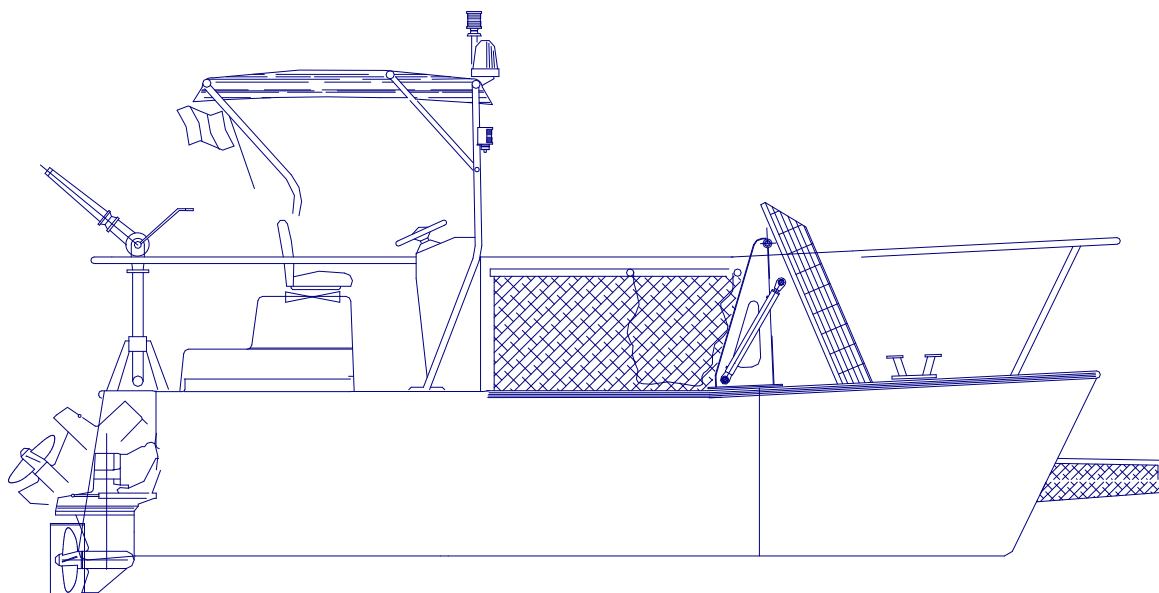
- collection, storage and discharging of floating and semisubmerged macropollutants (plastic, plants, cans, wood etc.);
- collection of hydrocarbon products;
- fire-fighting and quay cleaning operations using a water cannon positioned on deck;
- removal of foam and surface films.

It is designed to be used in limited spaces and in shallow water, areas where larger vessels with the same operational abilities are unable to operate.



It has excellent nautical qualities enabling it to work in open sea. Its attractive appearance makes it suitable for work in tourist areas.

21 vessels have already been built and are working with great success in Spain (13), Italy (6), France (1) and the United States (1). An especially adapted version works for the Provincial Administration on Lake Como.



# Mandolino 6.4

## Technical specifications

Length O.A.	6.40 m
Breadth	2.48 m
Depth	1.00 m
Draft	0.50 m
Garbage storage unit	1.80 m <sup>3</sup>
Garbage collection basket	0.50 m <sup>3</sup>
Treatment capacity	2000 m <sup>3</sup> /h
Max. speed	12 knots
Crew	1 p

